

For reference only. See data sheet for the detailed specifications.

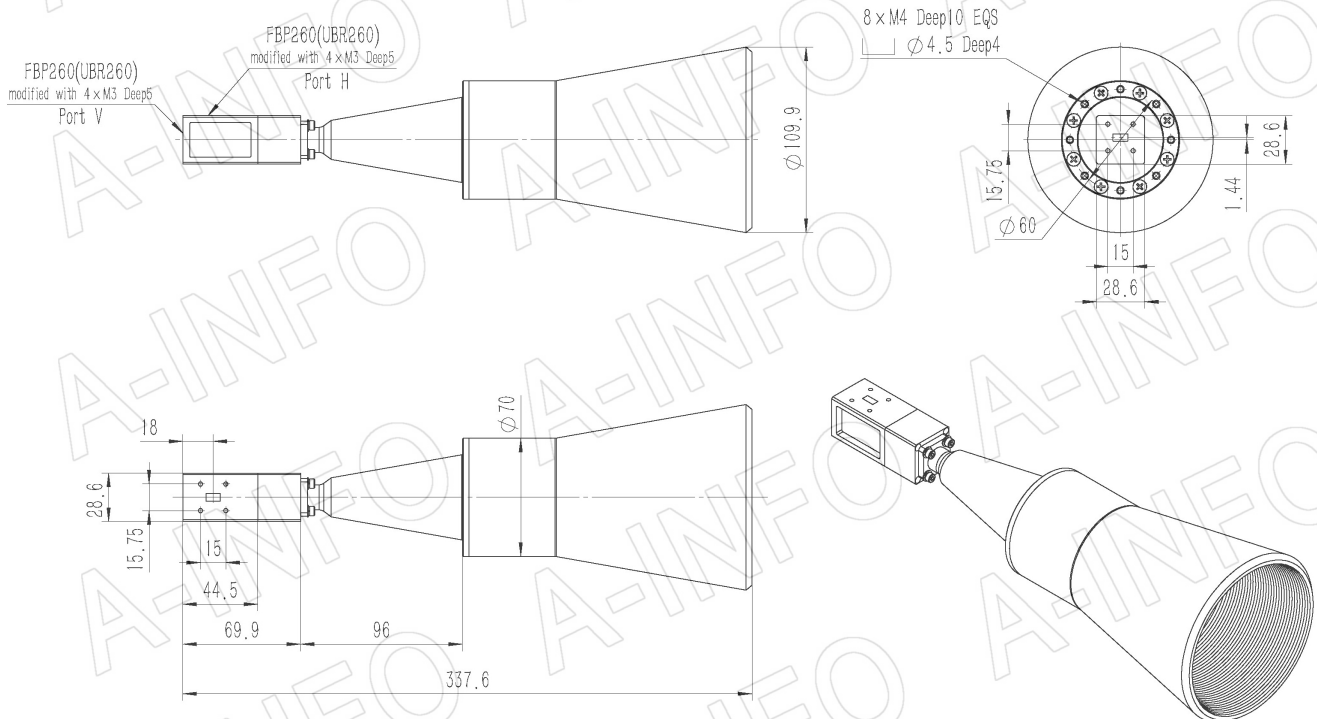
Technical Specification



Frequency Range(GHz)	22.0 – 29.0
Waveguide	WR34
Gain(dBi)	25 Typ.
Polarization	Dual Linear
3dB Beamwidth(deg)	E Plane: 9 Typ.
	H Plane: 9 Typ.
Cross Pol. Isolation(dB)	45 Typ.
Port to Port Isolation(dB)	50 Typ. ; 40 Min.
VSWR	A Type: 1.50:1 Typ.
	C Type: 1.60:1 Typ.
Output	A Type: FBP260(UBR260) (modified with 4xM3 D5)
	C Type: 2.92mm-Female
Material	Al
Finish	Gold Plated and Silver Plated, Gray Paint
Size(mm)	A Type: 109.9 x 109.9 x 337.6
	C Type: 109.9 x 109.9 x 361.6
Net Weight(Kg)	A Type: 1.15 Around
	C Type: 1.25 Around

Outline Drawing (Size: mm)

FBP260 Output (P/N: LB-CH-34-25-T06-A)



AINFO Inc.

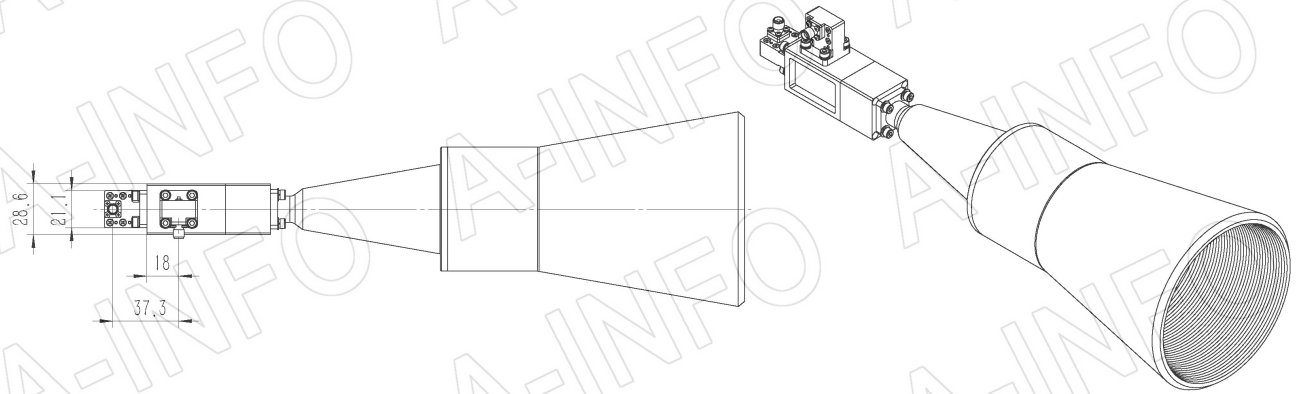
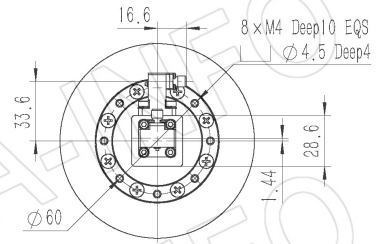
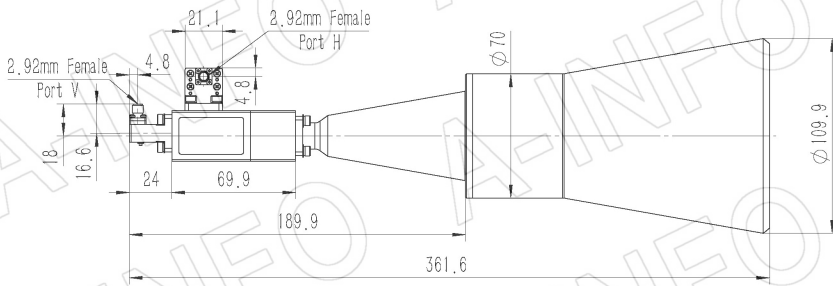
China(Beijing): Tel: (+86) 10-6266-7326,
China(Chengdu): Tel: (+86) 28-8519-2786,
USA: Tel: (+1) 949-639-9688,

Page 1 of 10

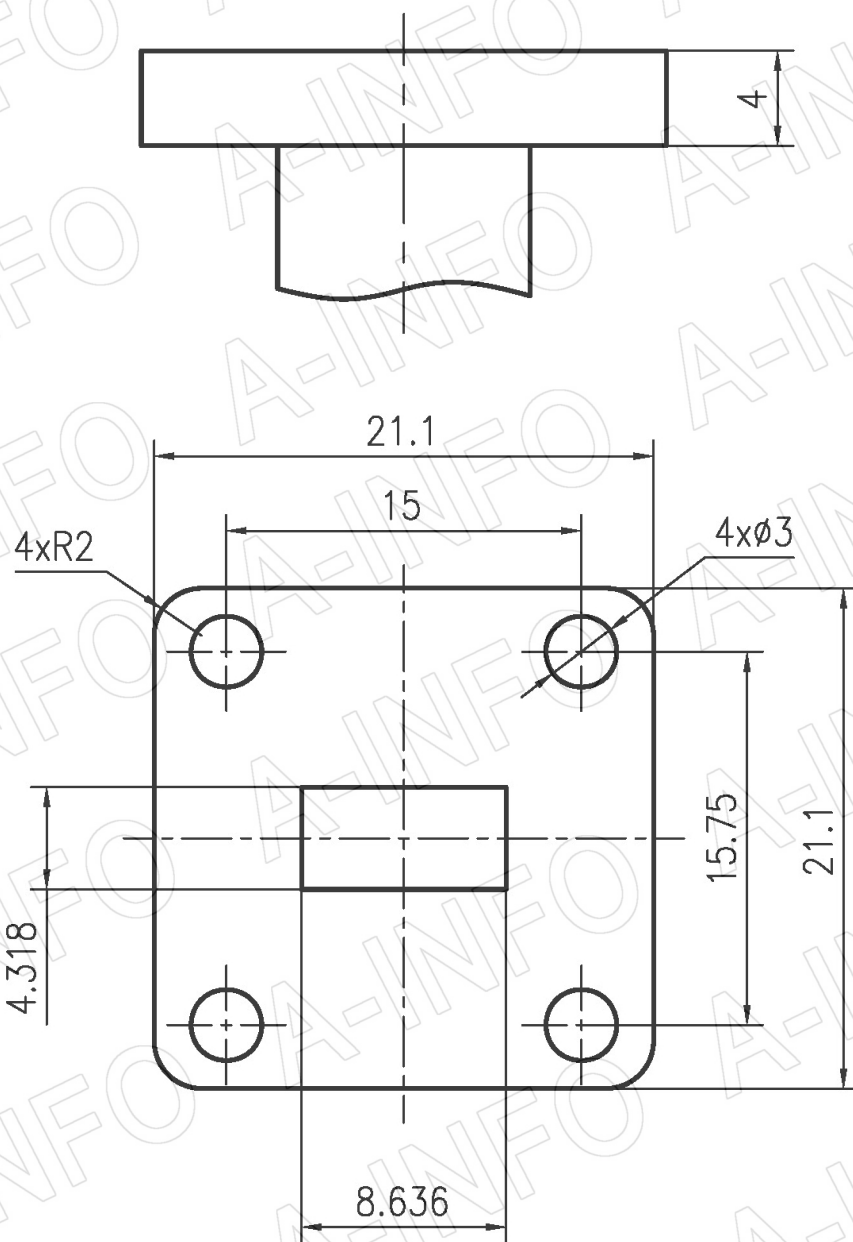
(+86) 10-6266-7327 Fax: (+86) 10-6266-7379
(+86) 28-8519-3044 Fax: (+86) 28-8519-3068
(+1) 949-639-9608 Fax: (+1) 949-639-9670

Website: www.ainfoinc.com
Email: sales@ainfoinc.com

2.92mm-Female Output (P/N: LB-CH-34-25-T06-C-KF)



Flange Drawing (Size: mm)



FBP260

AINFO Inc.

China(Beijing): Tel: (+86) 10-6266-7326,
China(Chengdu): Tel: (+86) 28-8519-2786,
USA: Tel: (+1) 949-639-9688,

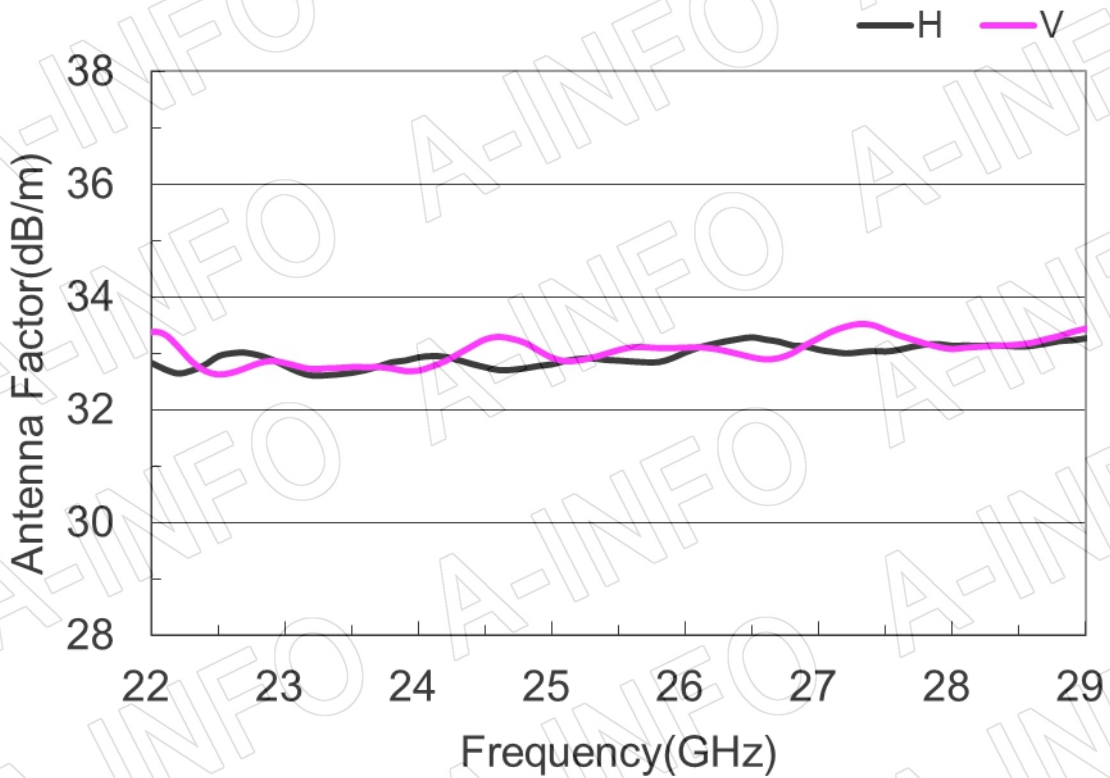
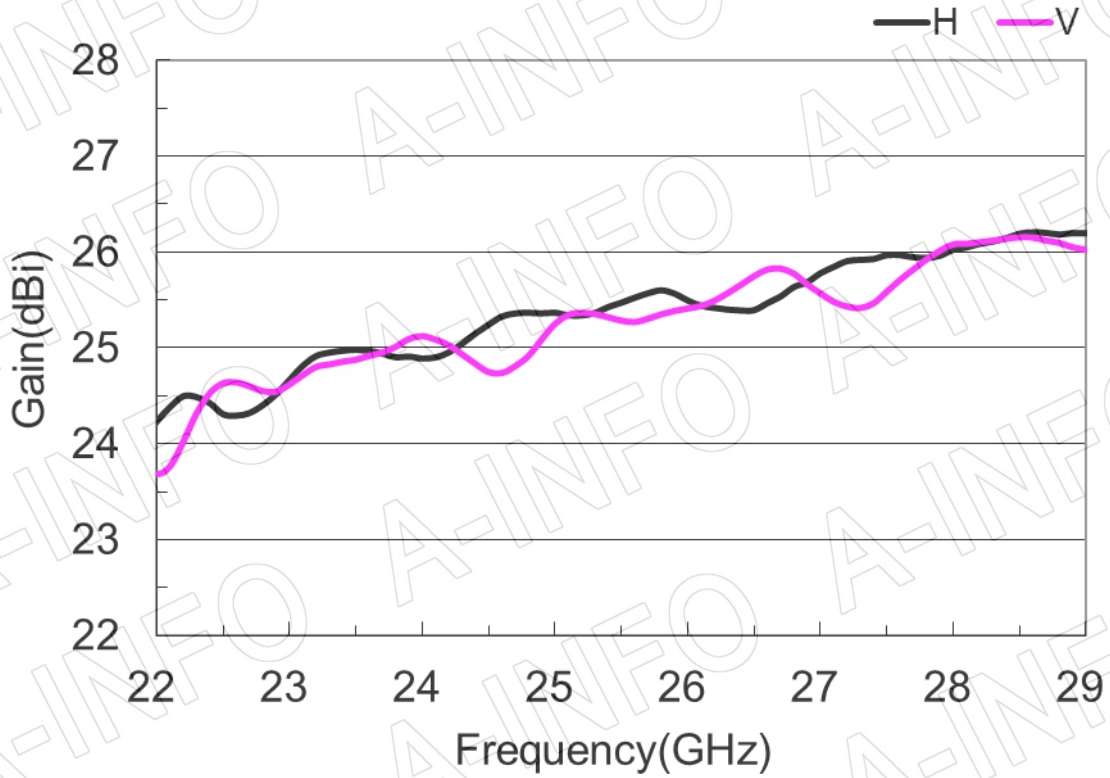
Page 3 of 10

(+86) 10-6266-7327 Fax: (+86) 10-6266-7379
(+86) 28-8519-3044 Fax: (+86) 28-8519-3068
(+1) 949-639-9608 Fax: (+1) 949-639-9670

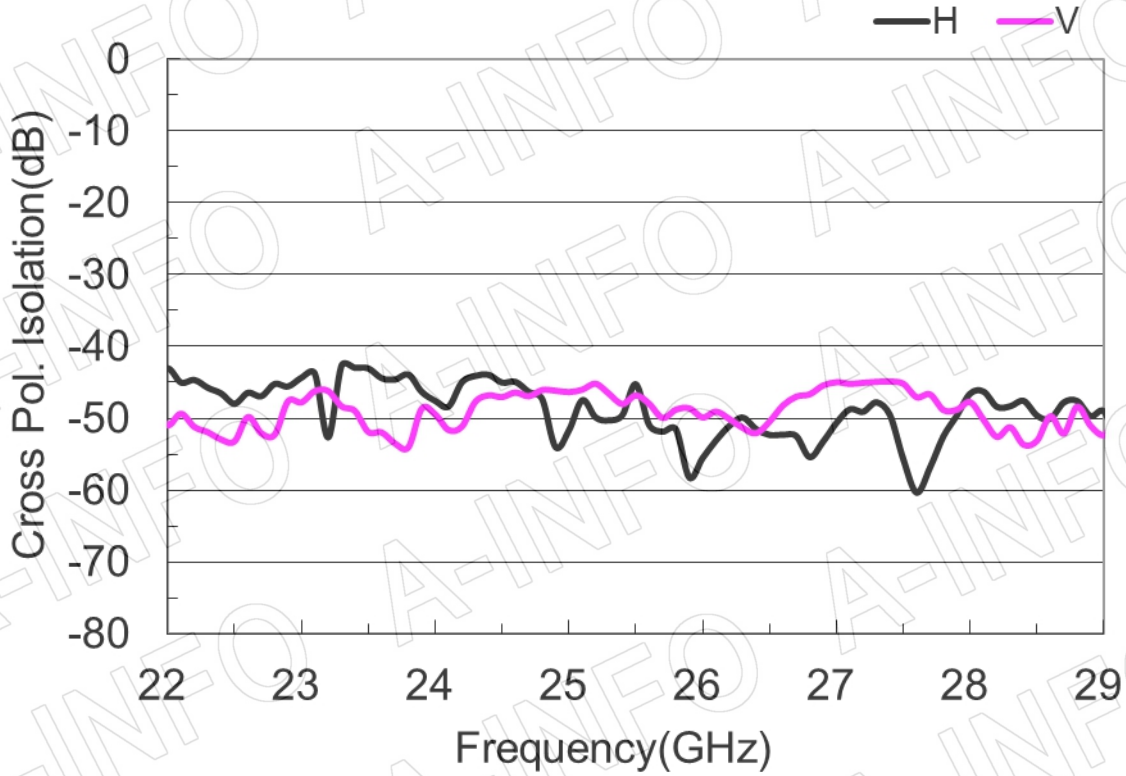
Website: www.ainfoinc.com
Email: sales@ainfoinc.com

Test Results

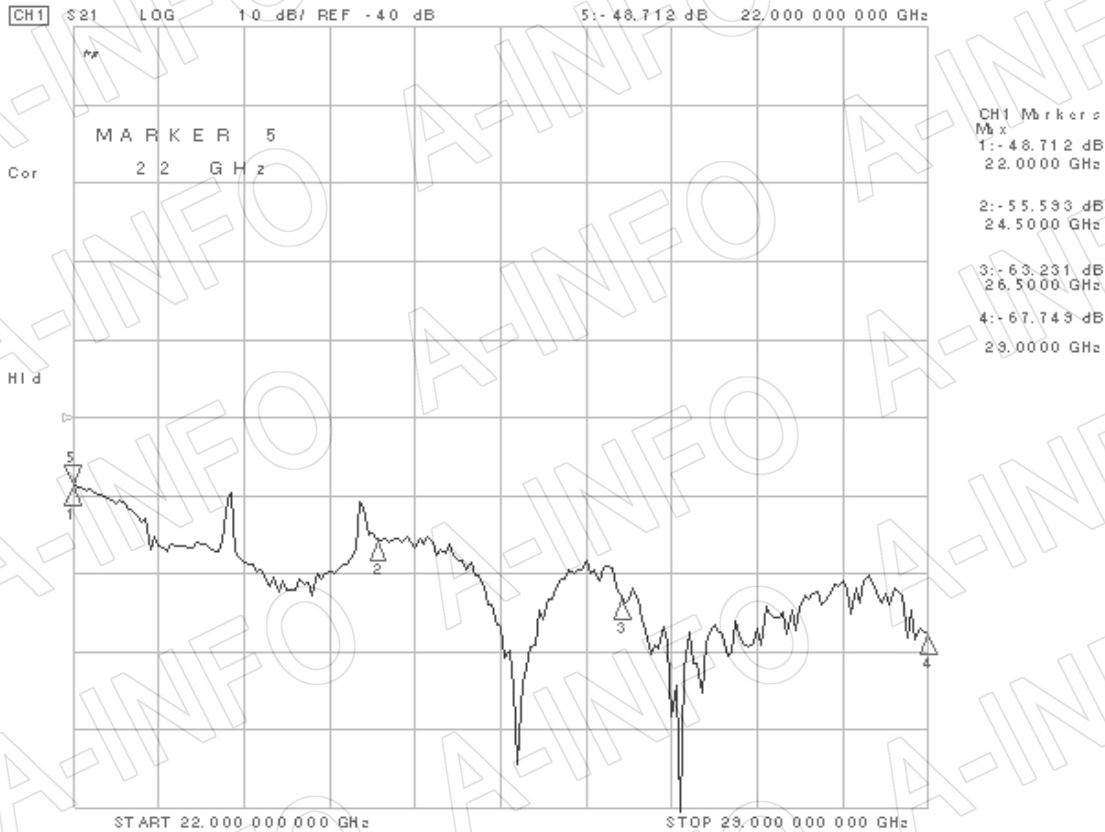
1. Gain & Antenna Factor



2. Cross Polarization Isolation

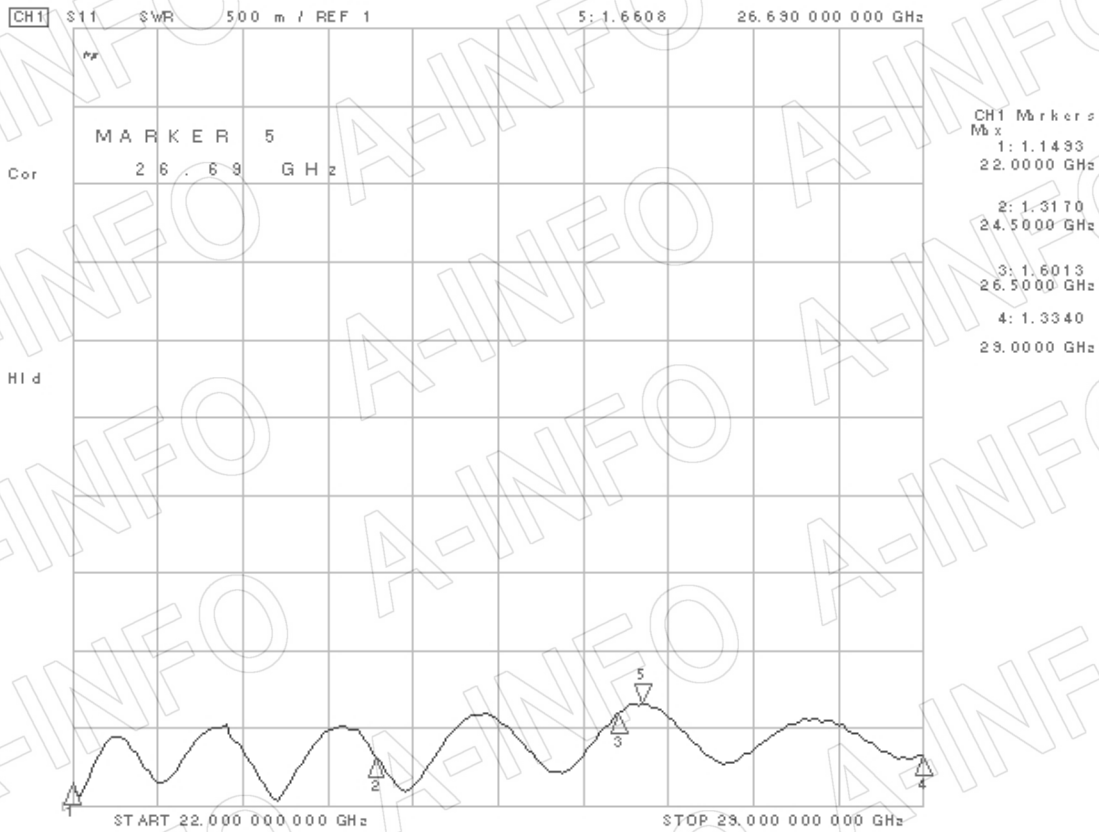


3. Port to Port Isolation

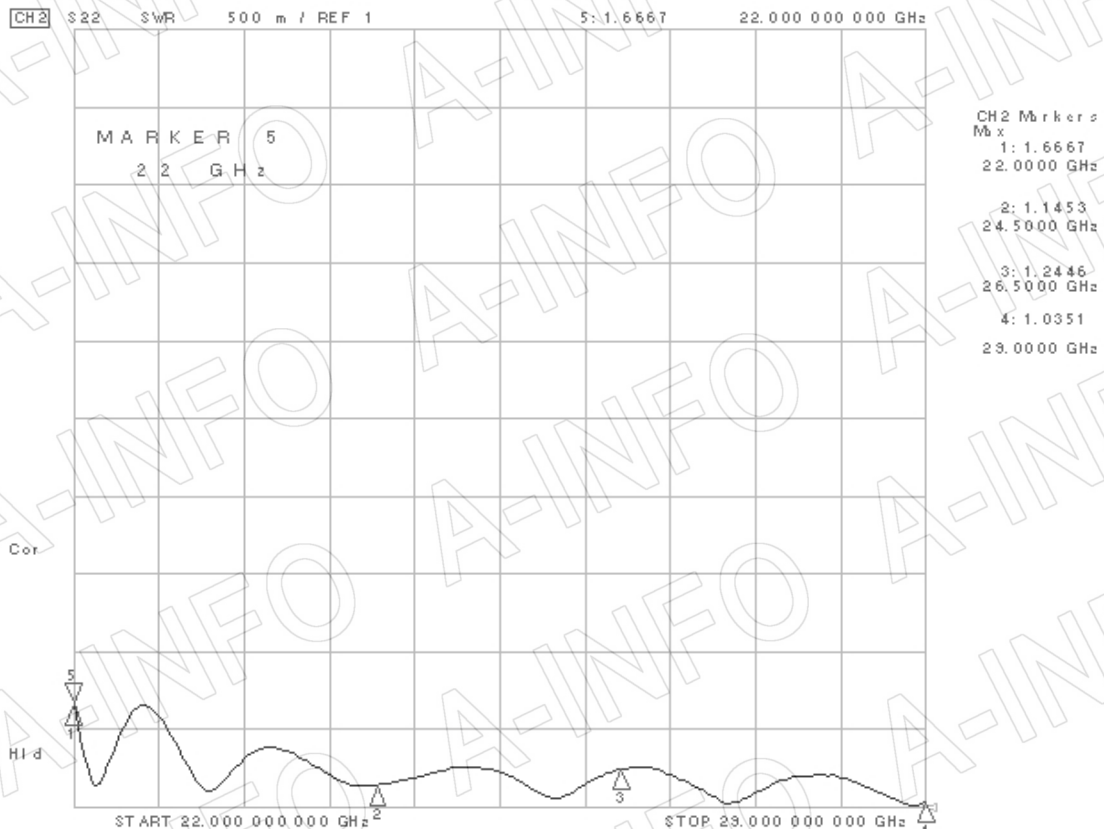


4. VSWR_A Type

Port-H

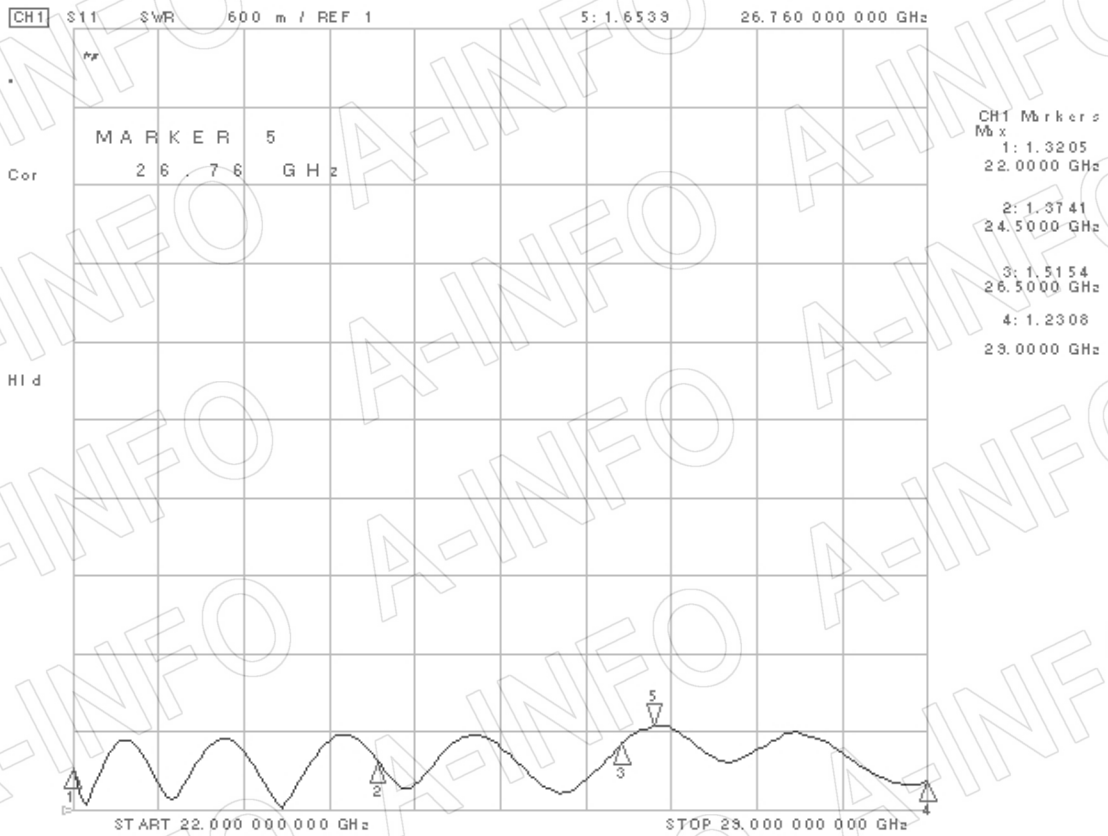


Port-V

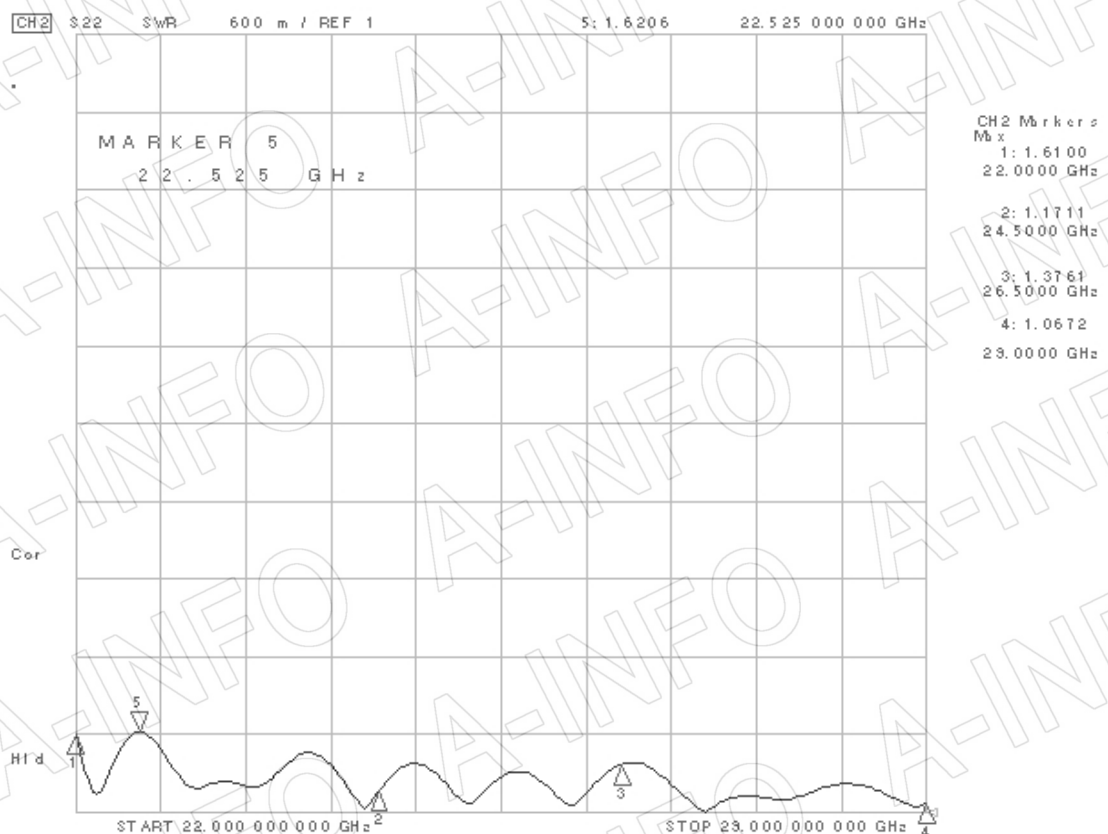


VSWR_C Type

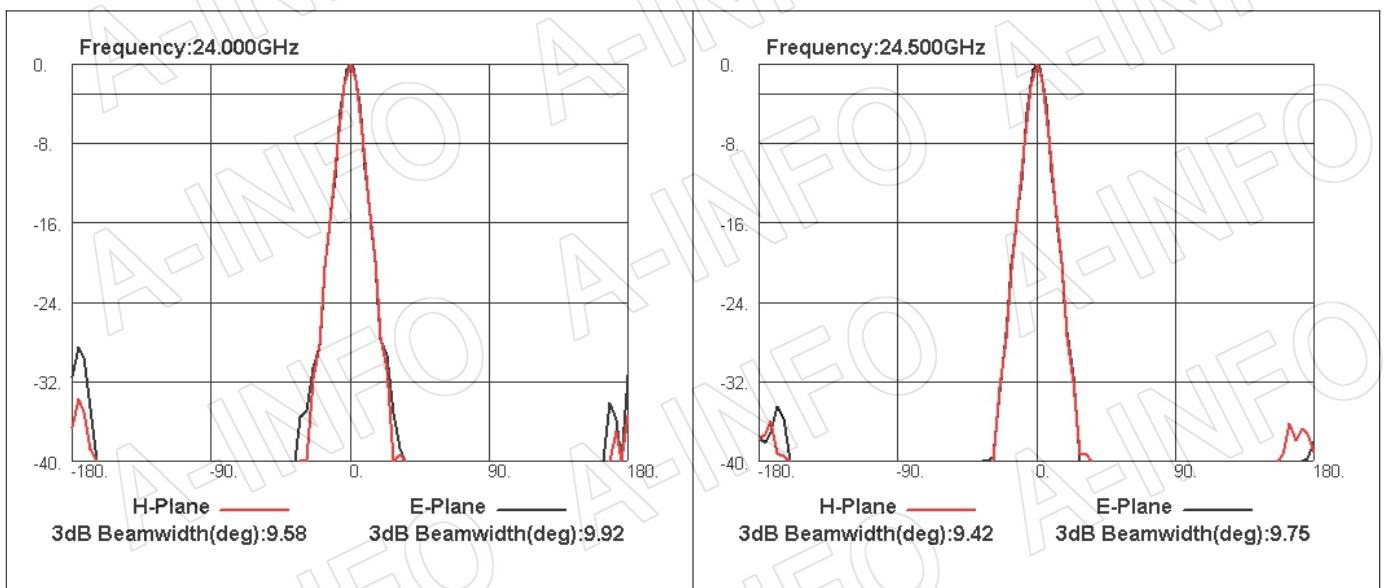
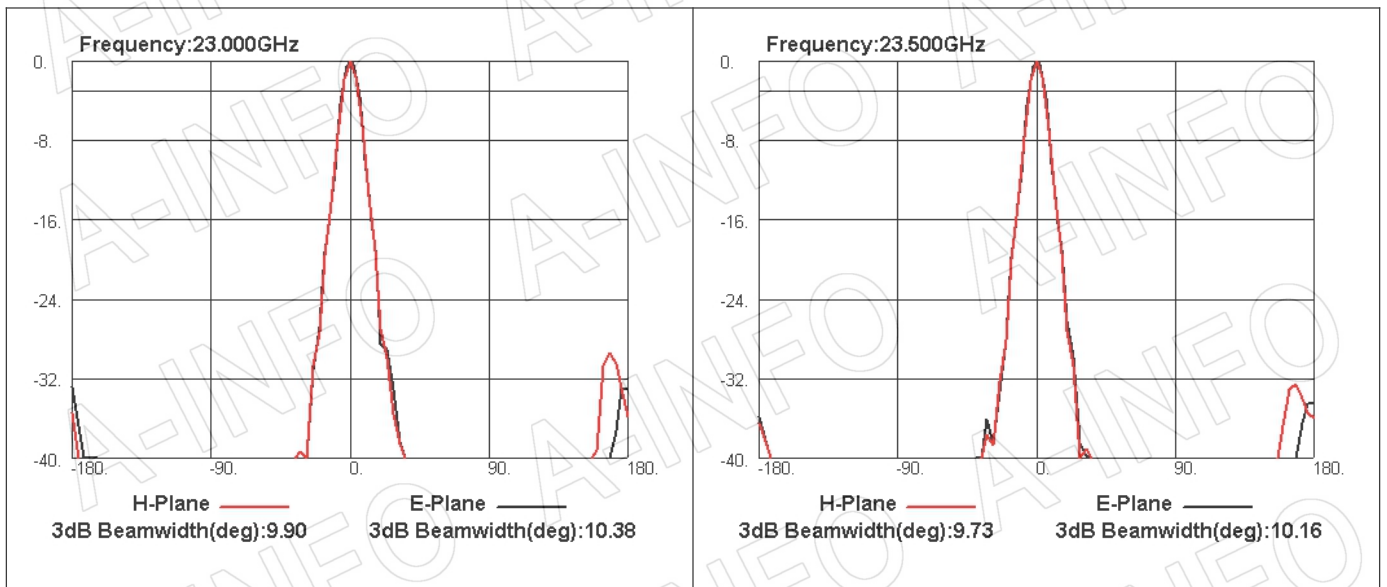
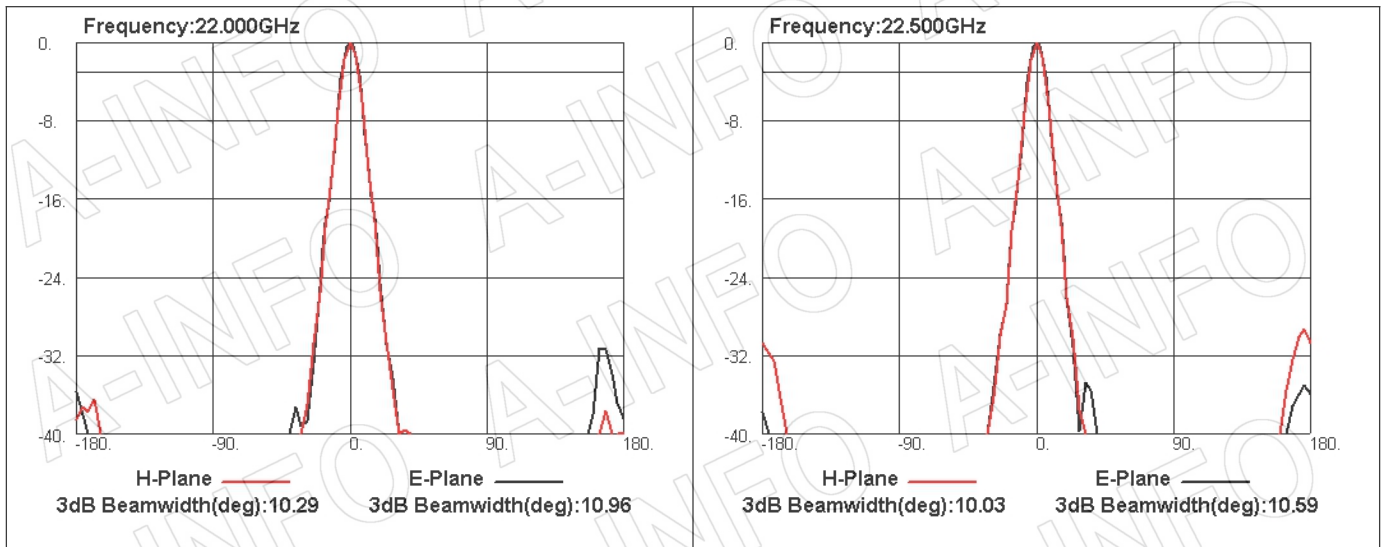
Port-H



Port-V



5. Pattern



AINFO Inc.

China(Beijing): Tel: (+86) 10-6266-7326,
China(Chengdu): Tel: (+86) 28-8519-2786,
USA: Tel: (+1) 949-639-9688,

Page 8 of 10

(+86) 10-6266-7327 Fax: (+86) 10-6266-7379
(+86) 28-8519-3044 Fax: (+86) 28-8519-3068
(+1) 949-639-9608 Fax: (+1) 949-639-9670

Website: www.ainfoinc.com
Email: sales@ainfoinc.com

